



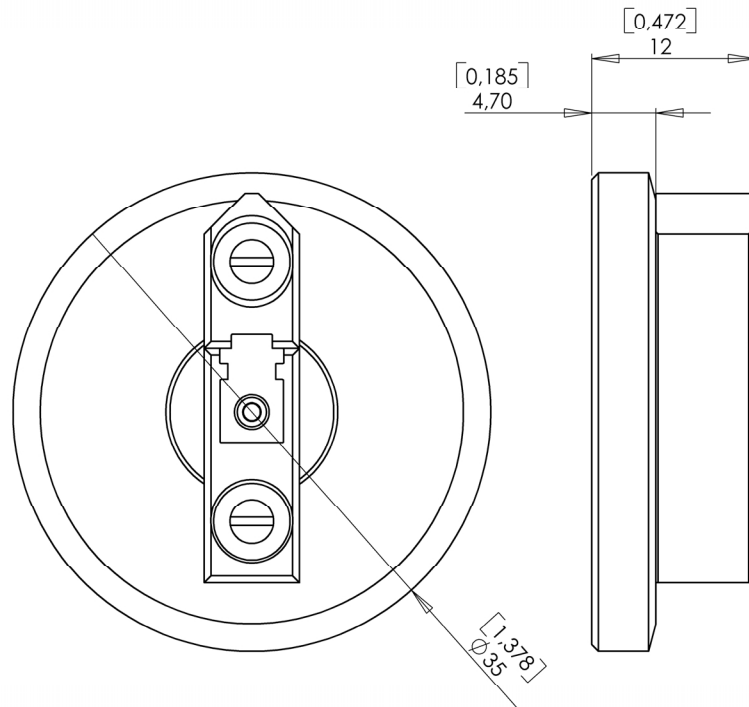
Title : Manual Polishing jig LC PC (1 plug)

Series
F780

Issue
08 26 04

Page
1/1

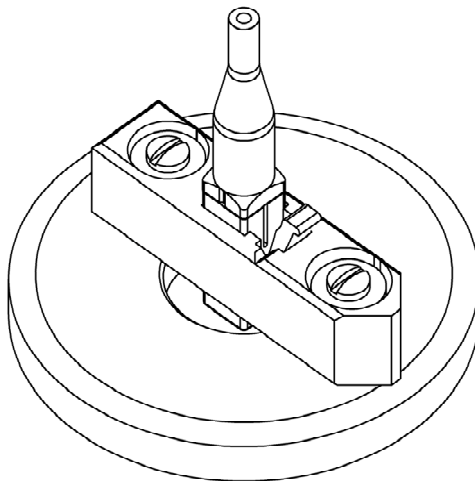
Dimension : mm / [inches]



INSTRUCTION

Allow to polish manually LC PC connector (F727 serie).

Procedure: See procedure 503.08.500



Insert the plug
inside the clamp

CREATION				RADIALL [®] 101, rue P. Hoffmann 93116 ROSNY/BOIS FRANCE Tel : (33) 0149353535 Fax : (33) 0148546363	
N°:					
PEN/EP : EPF 0001					
Name: B - P					
Date: 09 23 2002	08/26/04	Procédure ref added	S. P. L. V.		
Appr.: V - L	Issue	Revisions	Name Appr.		